



DESCRIPTION

The System 4000™ with Pure Flo Technology is a self-contained cleaning system featuring a user controlled pump and a removable catch basin. The first cleaning system that pumps fresh cleaning solution into the pad every time while containing the contaminated water separately. Easy and effective to use for most types of pads and polishers with easy access to clean pads on the go. This environmentally friendly, water-saving unit is perfect for applications where cleaner pads with less contamination are essential.

Easy to Operate

Simply fill the pail to the desired level with clean water, add one packet of Snappy-Clean Boost™ powder, and insert the soiled pad attached to the polisher. Next, run the polisher on a very low speed setting while pressing repeatedly on the wash plate. The pressing action will activate the pump and draw the cleaning solution from the bottom of the pail into the pad. Use the polisher to agitate and clean the pad and to control the amount of solution brought into the pad. The dirty solution and contaminants will drain into the catch basin where it can be discarded when the basin is full. Increase the polisher speed slightly and spin-dry the pad inside the unit to complete the cleaning cycle.

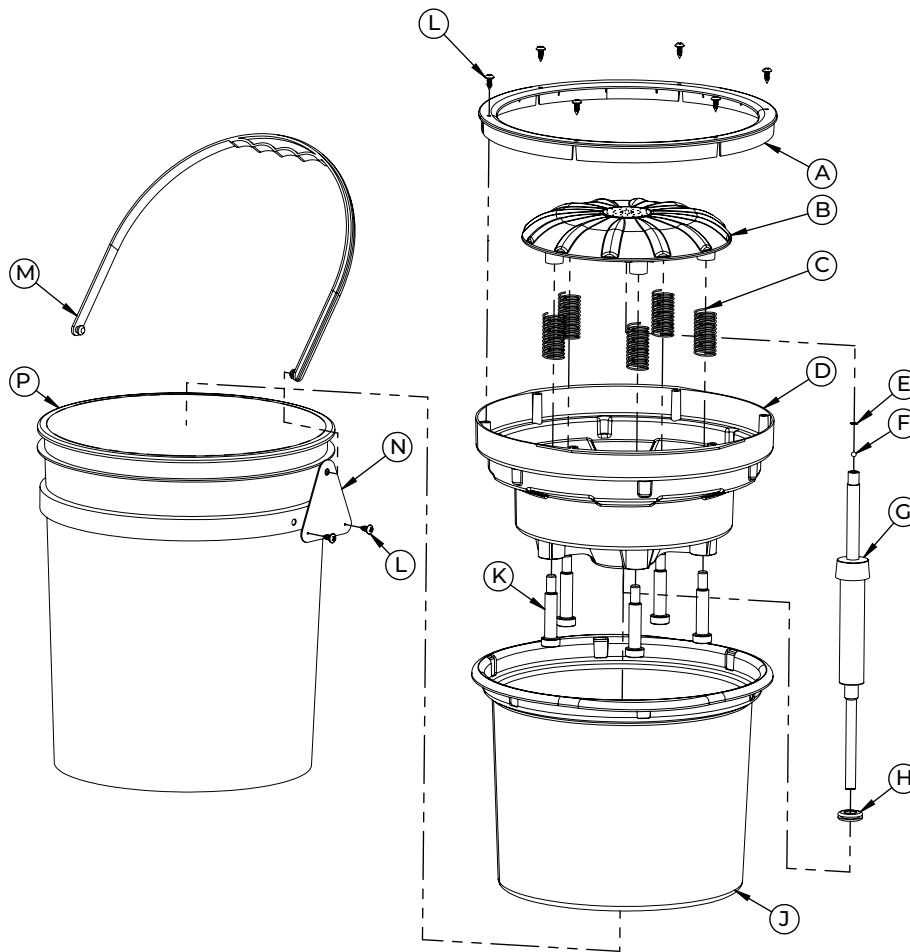


FEATURES

- Works with Random Orbital, DA, Rotary polishers
- System 4000™ is the first self-contained pad cleaning system featuring Pure Flo Technology. Pure Flo Technology separates new cleaning solution from the old and used solution, resulting in a fresh clean pad every time without introducing dirt and used chemicals into the pad, avoiding contamination of the pad.
- Works with all sizes and types of pads - wool and foam from 3" to 7"
- Positive displacement pump lets user control flow of cleaning solution
- Works with other cleaning accessories - bonnets, applicators, wash mitts, etc.
- Environmentally friendly - System 4000™ uses only 1.6 gallons of water (50% less than other pad washers) - Uses the power of the polisher to agitate and clean pads U. S. Patent # 8,893,734 and other International Patents C



CALL: (262) 367-8395



LEGEND:

- | | |
|----------------------|------|
| A - Cover Ring | (1) |
| B - Wash Plate | (1) |
| C - Springs | (5) |
| D - Holding Tray | (1) |
| E - Washer | (1) |
| F - Ball | (1) |
| G - Pump Assembly | (1) |
| H - Grommet | (1) |
| J - Catch Basin | (1) |
| K - Bolts | (5) |
| L - Screw | (10) |
| M - Handle | (1) |
| N - Handle Extension | (2) |
| P - 5 Gallon Bucket | (1) |

ADDITIONAL FEATURES

- Open top design allows operator to easily access and clean pads quickly
- Fluted wash plate cleans effectively without damaging pads
- Molded with 100% polypropylene & glass-filled nylon
- German engineered positive displacement pump

LIMITED

ONE YEAR WARRANTY

This product is warranted against defective materials and workmanship for 1 year from the date of purchase.

If product is found to be defective while covered by this warranty, it will be repaired or replaced - at our option - without charge, when returned to our Factory Service Center - SHIPPED PREPAID - with a copy of the original Bill of Sale enclosed.

This warranty covers all defects found in normal use of the product, and is VOIDED if loss or damage to the product is due to abuse, mishandling, accident, failure to follow operating instructions, or if the product has been serviced or modified by anyone other than our Factory Service personnel.

This warranty does not include normal wear of handle, handle extension, wash plate or pump assembly, and does NOT apply to any other loss or inconvenience or consequential damage with relation to this product.

PLEASE NOTE:

Use only a low sudsing cleaner/degreaser in your pad washer to maintain warranty terms and avoid damage to your unit.